



Rogue ET 230iP AC/DC power source



Spare parts list

Ordering no.	Denomination	Notes
0700 500 214	Rogue ET 230iP AC/DC welding power source	EU version which is designed for EU/AUS/SOAM/MEA/CCC with quick connector gas inlet, 1/8" gas outlet and input cable with Schuko plug 16 A. The only difference for CCC version is the input cable and cable without plug.
A000 100 350	Rogue ET 230iP AC/DC welding power source	NOAM version designed for NOAM market with 5/8" gas inlet and outlet, and NEMA plug 50 A adaptor.
0700 500 *	Instruction manual	
0700 500 210	Spare parts list	
0700 500 213	Service manual	

The three last digits in the document number of the manual show the version of the manual. Therefore they are replaced with * here. Make sure to use a manual with a serial number or software version that corresponds with the product, see the front page of the manual.

Spare parts may be ordered through your nearest ESAB dealer, see esab.com. When ordering, please state product type, serial number, denominations and ordering numbers according to the spare parts list. This facilitates dispatch and ensures correct delivery.

Maintenance and repair work should be performed by an experienced person, and electrical work only by a trained electrician. Use only recommended spare parts.

For accessories to the product, see the instruction manual.

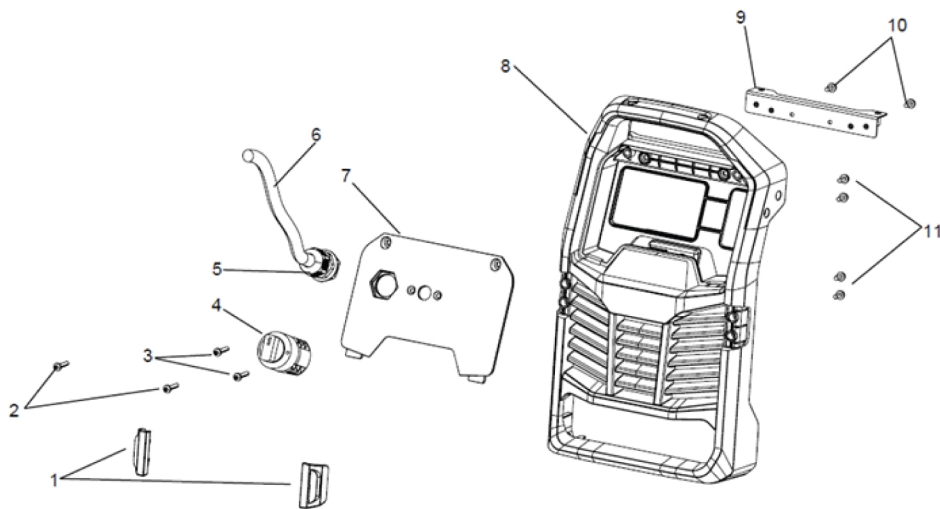
TABLE OF CONTENTS

- 1 SPARE PARTS 4**
- 1.1 Rear panel module 4**
- 1.2 Front panel module 5**
- 1.3 Middle plate module 6**
- 1.4 Power block module 8**
- 1.5 Base plate module 10**
- 1.6 Complete power source 12**

1 SPARE PARTS

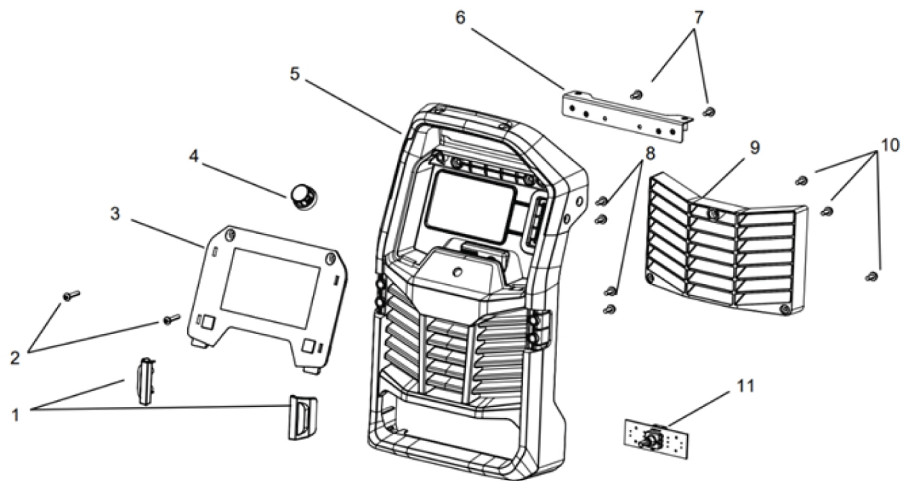
1.1 Rear panel module

C = Component designation in the circuit diagram					
Item	Qty	Ordering no.	Denomination	Notes	C
1	1	0558111145	Lid	Including 10	
2	2		Screw	GB/T2672-2004 M5x10	
3	2		Screw	GB/T819-1976 M4x12	
4	1	0464674013	Main switch	Including 3	2SW1
5		0464674002	Cable glands		
6	1	0464751034	Input cable		
7	1	0464751011	Panel		
8	1	0464751012	Rear panel	Including 1, 7, 8, 9, 10	
9	1		Sheet metal		
10	2		Screw	GB/T2672-2004 M5x10	
11	2		Screw	GB/T845-1985 ST4.8x13-C	
12	1	0464751095	Harness, switch to control PCB	Not shown in illustration	
13	1	0464751013	Rear panel kit	Including 1, 2, 3, 4, 5, 6, 7, 8, 9, 10, 11	



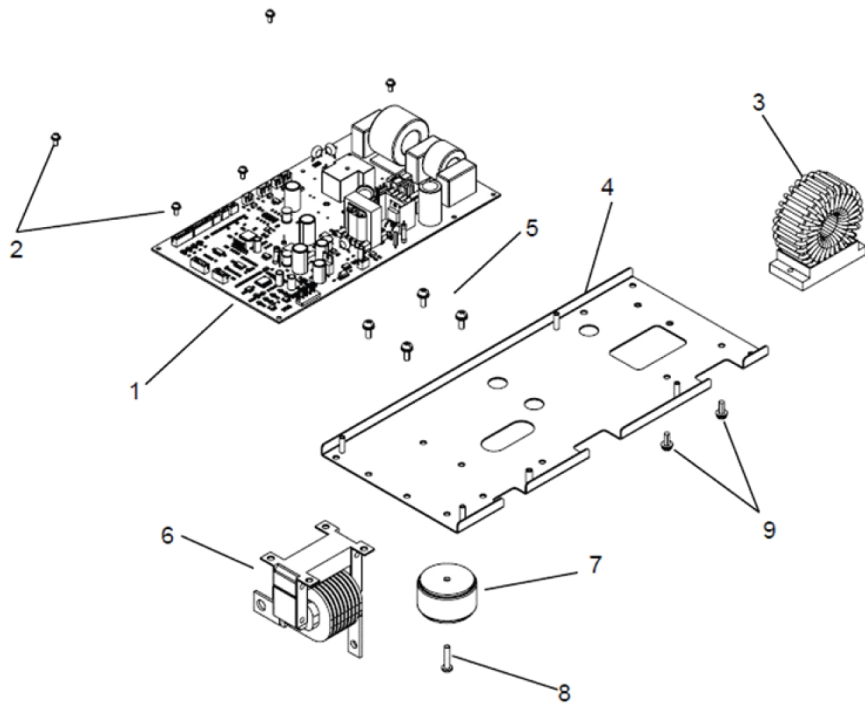
1.2 Front panel module

C = Component designation in the circuit diagram					
Item	Qty	Ordering no.	Denomination	Notes	C
1	1	0558111145	Lid	Including 7	
2	2		Screw	GB/T2672-2004 M5x10	
3	1	0464751014	HMI kit	Including 2, 12, and decal	1AP1
4		0464672004	Knob		
5	1	0464751015	Front panel	Including decal	
6	1		Sheet metal		
7	2		Screw	GB/T2672-2004 M5x10	
8	4		Screw	GB/T845-1985 ST4.8x13-C	
9	1	0558111150	Internal louver	Including 9	
10	3		Screw	GB/T845-1985 ST4.8x8-C	
11		0464751016	Encoder with harness		
12	1	0464751096	Harness, HMI kit to control PCB	Not shown in illustration	
13	1	0464751017	Front panel kit	Including 3 and 5	



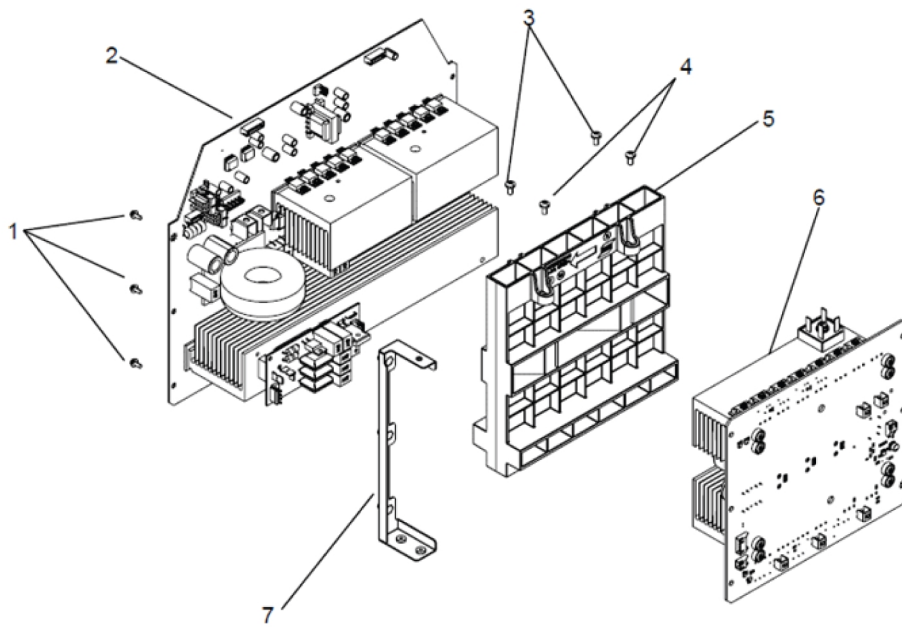
1.3 Middle plate module

C = Component designation in the circuit diagram					
Item	Qty	Ordering no.	Denomination	Notes	C
1	1	0464751018	Control PCB	Including software	20AP1
2	5		Screw	GB/T9074.4-1988 M3x8	
3	1	0464751019	PFC inductance	Including fastener	
4	1		Middle panel		
5	4		Screw	GB/T9074.4-1988 M5x10	
6	1	0464751020	Output inductance	Including 9	15L1
7	1	0464751021	Arc inductance	Including 8	
8	1		Screw	GB/T9074.4-1988 M5x35	
9	2		Screw	GB/T9074.4-1988 M5x10	
10	1		Harness kit from output conductor to secondary invert PCBA	Not shown in illustration	
11	1		Harness kit from XS11 on main control PCBA to CN302 on high voltage generator PCBA	Not shown in illustration	
12	1		Harness kit from XS14 on main control PCBA to XSPFC on primary PCBA	Not shown in illustration	
13	1		Harness kit from XS1 on main control PCBA to XS1 on primary PCBA	Not shown in illustration	
14	1		Harness kit from XS4 on main control PCBA to XS2 on secondary invert PCBA	Not shown in illustration	
15	1		Harness kit from XS5 on main control PCBA to XS1 on secondary invert PCBA	Not shown in illustration	
16	1		Harness kit from XS15 on main control PCBA to XS3 on secondary invert PCBA	Not shown in illustration	
17	1		Harness kit from XS6 on main control PCBA to display PCBA	Not shown in illustration	
18	1	0464751089	Harness kit on main control PCB	Including 10, 11, 12, 13, 14, 15, 16, 17	



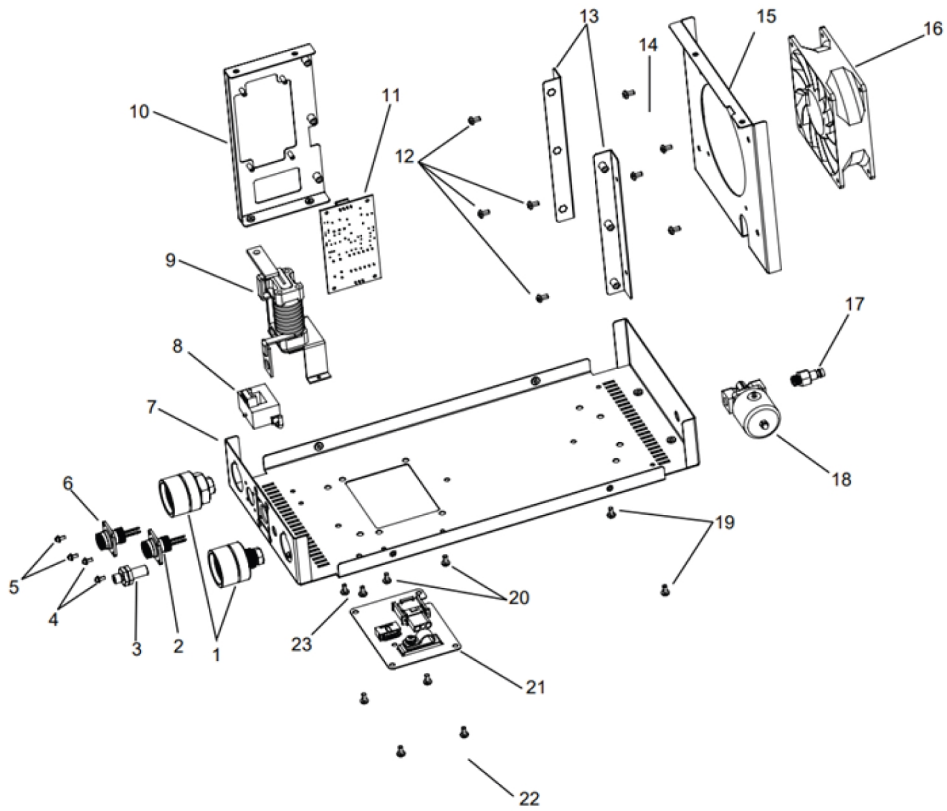
1.4 Power block module

C = Component designation in the circuit diagram					
Item	Qty	Ordering no.	Denomination	Notes	C
1	3		Screw	GB/T9074.4-1988 M5x10	
2	1	0464751022	Secondary invert PCBA	Including 9, 10	20AP3
3	2		Screw	GB/T9074.4-1988 M5x10	
4	2		Screw	GB/T9074.4-1988 M5x10	
5	1	0464751023	Heat sink holder	Including fasten	
6	1	0464751024	Primary rectifier PCBA	Including 8	20AP2
7	1		Supporting bracket for secondary inverter PCB		
8	1	0464751097	NTC harness 1, main control PCBA	Not shown in illustration	
9	1	0464751098	NTC harness 2, main control PCBA	Not shown in illustration	
10	1	0464751099	NTC harness 3, main control PCBA	Not shown in illustration	
11	1		Harness from XS2 on secondary invert PCBA to XS4 on main control PCBA	Not shown in illustration	
12	1		Harness from XS1 on secondary invert PCBA to XS5 on main control PCBA	Not shown in illustration	
13	1		Harness from XS3 on secondary invert PCBA to XS15 on main control PCBA	Not shown in illustration	
14	1		Harness from XSPFC on primary rectifier PCBA to XS14 on main control PCBA	Not shown in illustration	
15	1		Harness from XS1 on primary rectifier PCBA to XS1 on main control PCBA	Not shown in illustration	
16	1	0464751035	Rectifier	ROHS2.0 S50VB100 50 A/1000 V	1BR
17	1	0464751090	Harness kit on power block module	Including 8, 9, 10, 11, 12, 13, 14, 15	
18	1	0464751025	Power block module kit	Including 1, 2, 3, 4, 5, 6, 7, 16	



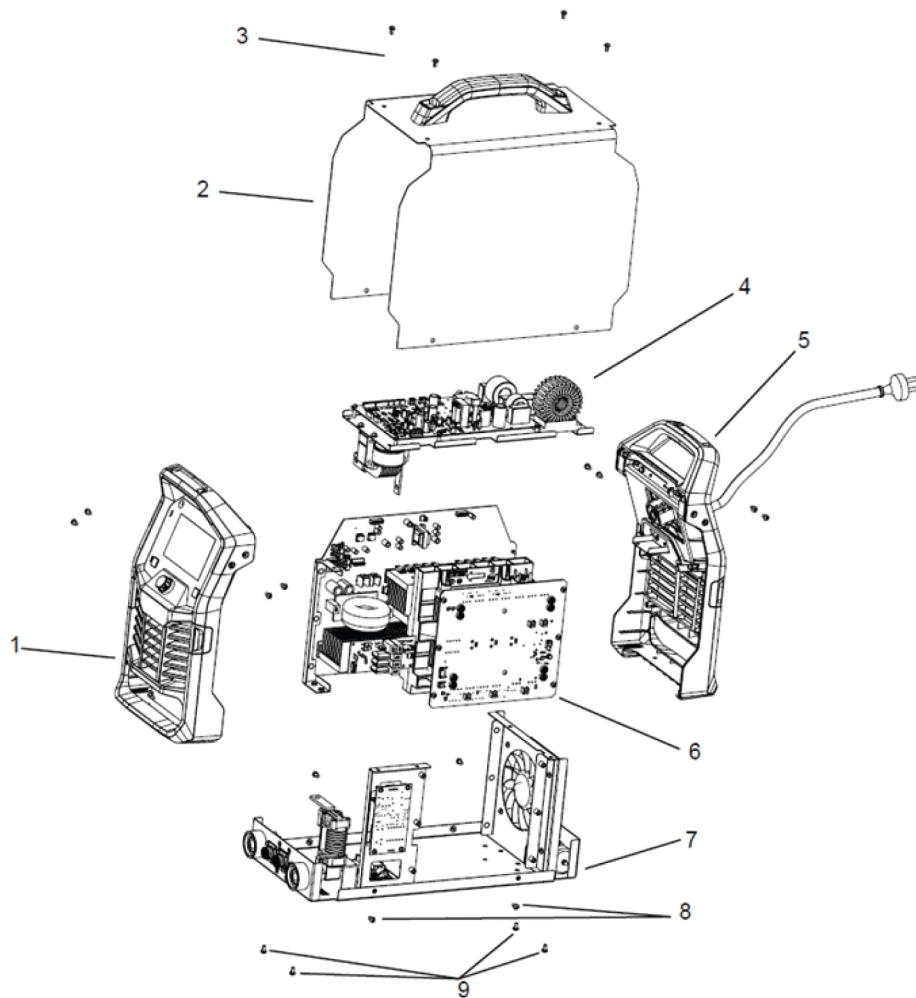
1.5 Base plate module

C = Component designation in the circuit diagram					
Item	Qty	Ordering no.	Denomination	Notes	C
1	2	0464671004	OKC connector	35-50	XS1, XS2
2	1	0464751026	8 pin connector with harness kit		XS3
3	1	0464671006	Gas connector (outlet/1/8")		
	1		Gas connector adaptor	NOAM only	
5	2		Screw	GB/T2672-2004 M3x8	
6	1	0464751027	2 pin connector with harness kit		XS4
7	1		Base plate		
8	1	0464751033	Harness with hall sensor		
9	1	0464751028	High voltage arc start transformer	Including 23	10TV1
10	1		Sheet metal		
11	1	0464751029	High voltage arc start PCBA	Including 11	10AP1
12	4		Screw	GB/T9074.4-1988 M5x10	
13	2		Sheet metal		
14	4		Screw	GB/T845-1985 ST 5x10-C	
15	1		Fan holder	Including 19	
16	1	0464751030	Fan with harness	Including 14	15EV1
17	1	0700401832	Gas connector (inlet/quick connector)		
	1		Gas connector	NOAM only	
	1		Nut	M14x1.5, NOAM only	
18	1	0464751031	Solenoid valve with harness		10YV1
19	2		Screw	GB/T2672-2004 M5x10	
20	2		Screw	GB/T2672-2004 M5x10	
21		0464751032	Coolmini3 connector kit with Coolmini3 power cable and ribbon cable	Including 22	
22	4		Screw	GB/T2672-2004 M5x10	
23	2		Screw	GB/T2672-2004 M5x10	
24	1	0464751090	Harness with capacitor on OKC+	Not shown in illustration	
25	1	0464751025	Harness from high voltage generator PCBA to primary rectifier PCBA	Not shown in illustration	



1.6 Complete power source

C = Component designation in the circuit diagram					
Item	Qty	Ordering no.	Denomination	Notes	C
1	1	0464751017	Front panel kit		
2	1		Housing		
3	4		Screw		
4	1		Middle plate module kit		
5	1	0464751013	Rear panel kit		
6	1	0464751025	Power block module kit		
7	1	0464751102	Base plate kit		
	1		Base plate kit	NOAM version	
8	4		Screw		
9	4		Screw		





A WORLD OF PRODUCTS AND SOLUTIONS.



For contact information visit <http://esab.com>

ESAB AB, Lindholmsallén 9, Box 8004, 402 77 Gothenburg, Sweden, Phone +46 (0) 31 50 90 00

manuals.esab.com

