

SENTINEL A60 AIR

Auto-Darkening Welding Helmet for PAPR Systems



Sentinel A60 Air

Welding Processes

- Oxy Fuel Cutting
- Plasma Cutting
- Grinding
- Welding, GMAW (MIG/MAG)
- Welding, GTAW (TIG)
- Welding, PAW -Plasma Arc Welding
- Welding, SMAW/MMA (Stick)

The Sentinel A60 Air welding helmet builds on the advancements of the standard Sentinel A60, taking your welding to the next level. A large panoramic view and perfect 1/1/1/1 EN optical clarity provide an even wider view of the weld pool without any distortion.

The reengineered auto-darkening filter (ADF) features new OpTCS™ broad-spectrum light control technology from ESAB, giving you an enhanced True Colour view with reduced eye fatigue for the most demanding days on the job. New 0.5 increment shade adjustments give you more precise control of your view.

The shell retains the signature Sentinel design, and incorporates a new air diffuser screen. A fully-adjustable Halo™ headgear, and external grind mode button complete the most comfortable, highest performance helmet ESAB has ever produced.

- ADF viewing area: 118 x 71 mm (4.65 x 2.80 in.) and intuitive internal ADF controls including sensitivity and delay
- Shade range: DIN 3 / 5–13, adjustable in 0.5 increments and ADF shade lock setting
- ESAB OpTCS True Colour Lens Technology
- On-board memory for up to 9 settings
- Arc sensors: 4
- Fast switching time of 0.04 milliseconds
- Replaceable CR2450 battery
- Low battery, grind mode and shade lock LEDs

Visit esab.com for more information.



Advanced CE 1/1/1/1 ADF technology with a simple interface and clear graphic display.



Compact shell with optional amber-coloured protective outer lens.

SENTINEL A60 AIR

Specifications	
Viewing Area	118 x 71 mm
Active Lens Shade	5–13 (Adjustable in 0.5 shade increments)
Passive Lens Shade	3
Power Supply	2 CR2450 batteries, replaceable
Arc Sensors	4
Switch Time (Light to Dark)	0.04 millisecond
Switch Time (Dark to Light)	Digitally adjustable from 0.1 to 0.9 second
CE Optical Classification	1/1/1/1
Standards and Certifications*	CE: EN175; EN379; EN166 ANSI: Z87.1 CSA: Z94.3 AS/NZS 1338.1 ISO 16321 +TIG EN 12941 TH3 (with EPR-X1 PAPR)
Weight	860 g

* Certified only for use with EPR-X1 (0700000900) and ESAB PAPR (0700002300; 0700002301) PAPR systems .

Ordering Information	
Description	Part Number
Sentinel A60 AIR Helmet	0700600861
EPR-X1 PAPR system	0700500900

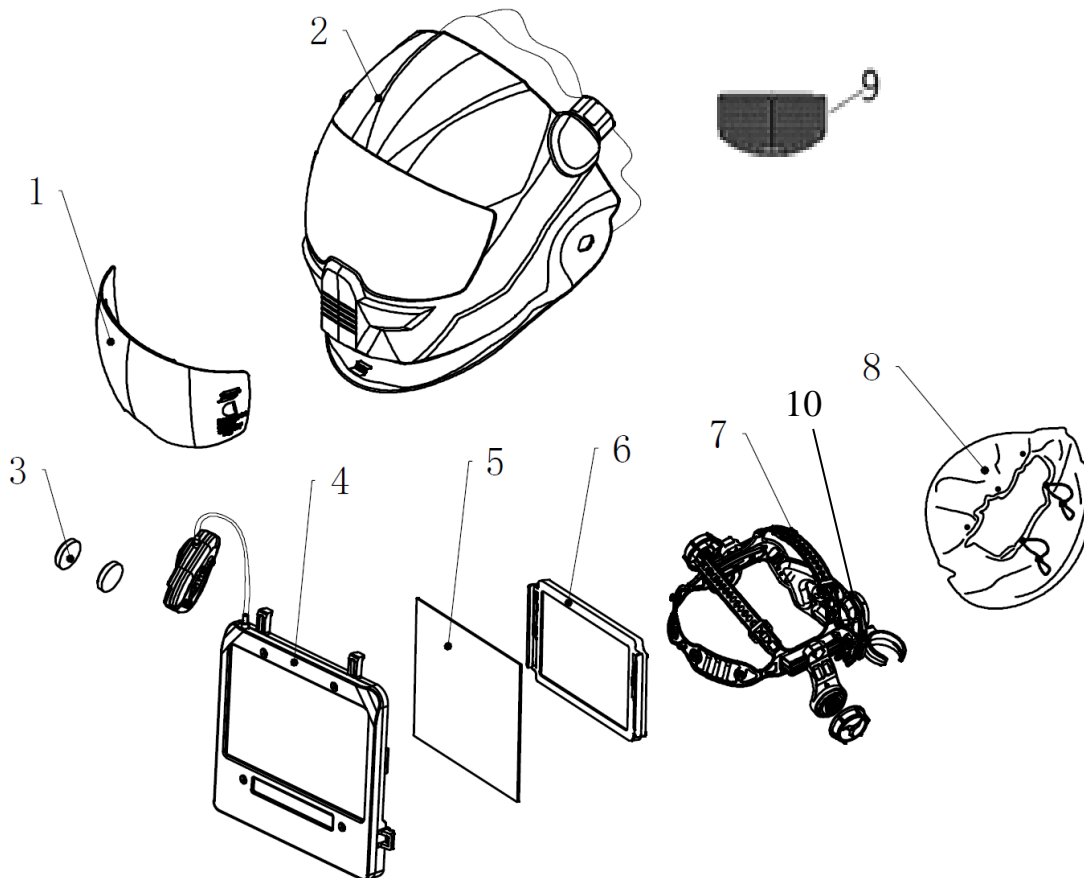
Delivery includes: Full helmet assembly, 2 replacement inner lenses, 4 replacement outer lenses, carry bag, durag and safety manual.

Spare Parts		
1	Sentinel A60 Front Cover Lens – Clear	0700600880
1	Sentinel A60 Front Cover Lens – Amber	0700600881
1	Sentinel A60 Front Cover Lens - Clear HC *	0700600882
1	Sentinel A60 Front Cover Lens – Amber HC *	0700600883
2	Sentinel A60 Air Helmet Shell	0700600864
3	CR2450 Coin Batteries (2)	Available separately
4	Sentinel A60 Auto Darkening Filter ADF (excl. batteries)	0700600865
5	Sentinel A60 Inside Cover Lens	0700600866
6	Magnifier Lens Frame	Provided with each magnifier lens
7	Sentinel A60 Air Halo Headgear	0700600868
8	Sentinel A60 Face Seal	0700600870
9	Sentinel A60 Air Mesh Air Diffusor	0700600876
10	Sentinel A60 Occipital Pad (3 per pack)	0700600884
	Savage A50 LUX / Sentinel A60 Front Sweat Band	0700600869
	Sentinel A60 Magnifying Lens +1.0 diopter **	0700600872
	Sentinel A60 Magnifying Lens +1.5 diopter **	0700600873
	Sentinel A60 Magnifying Lens +2.0 diopter **	0700600874
	Sentinel A60 Magnifying Lens +2.5 diopter **	0700600875

* HC Lenses include an anti-scratch hard coat for longer life.

** Magnifying Lenses are optional accessories not included with the complete helmet. The magnifier bracket is included with these lenses.

SENTINEL A60 AIR



ESAB / [esab.com](https://www.esab.com)

